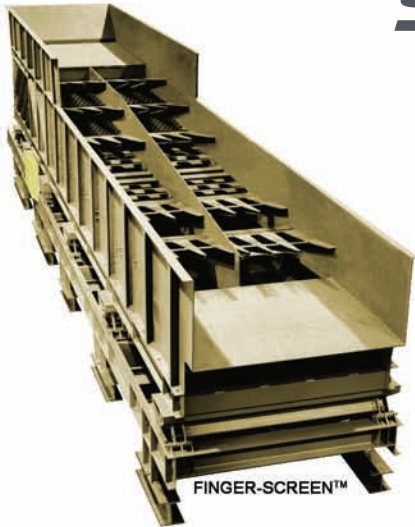


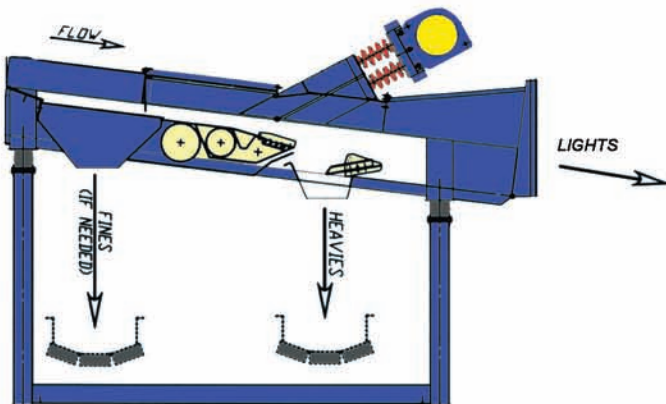
VIBRATORY EQUIPMENT FOR SCRAP PROCESSING



FINGER-SCREEN™

MATERIAL SEPARATION

Separation and sorting of scrap material is simplified with GK's extra heavy-duty line of vibratory screens and classifiers. The GK FINGER-SCREEN™ is designed to size material by utilizing our proven non-blinding finger deck. Separation by density is achieved through our patented DE-STONER® air classifier, which uses a high velocity, low pressure air stream to stratify light materials, while heavy material drops out of the product stream. The DE-STONER is ideal for auto fluff or other light material removal from ferrous or other heavy product.



How the DE-STONER Air Classifier works.

EXTREME CONVEYANCE

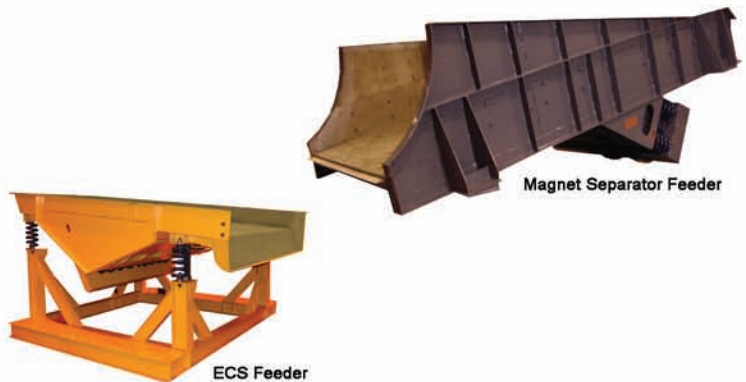
No area is more brutal to equipment than under a shredder. High tonnage coupled with the occasional explosion equals extreme abuse to equipment that has to remove material from under this environment. The GK Undermill Oscillator takes into account these severe duty service requirements, with designs twice as heavy-duty as other UMO's. For other material handling situations, GK's Syncro-Coil® conveyors transport material without the risk of tearing and the maintenance expense associated with belt conveyors.



Severe-Duty Under-Mill Oscillator

MATERIAL PRESENTATION

Separating ferrous from non-ferrous material is accelerated with GK's PARA-MOUNT II line of high stroke vibratory feeders. ECS feeders spread material evenly on to the eddy current belt, allowing higher recovery rates. Magnet separator feeders are designed to fit around the circumference of a rotary magnet, presenting a uniform bed for maximum material extraction.



ECS Feeder

Magnet Separator Feeder