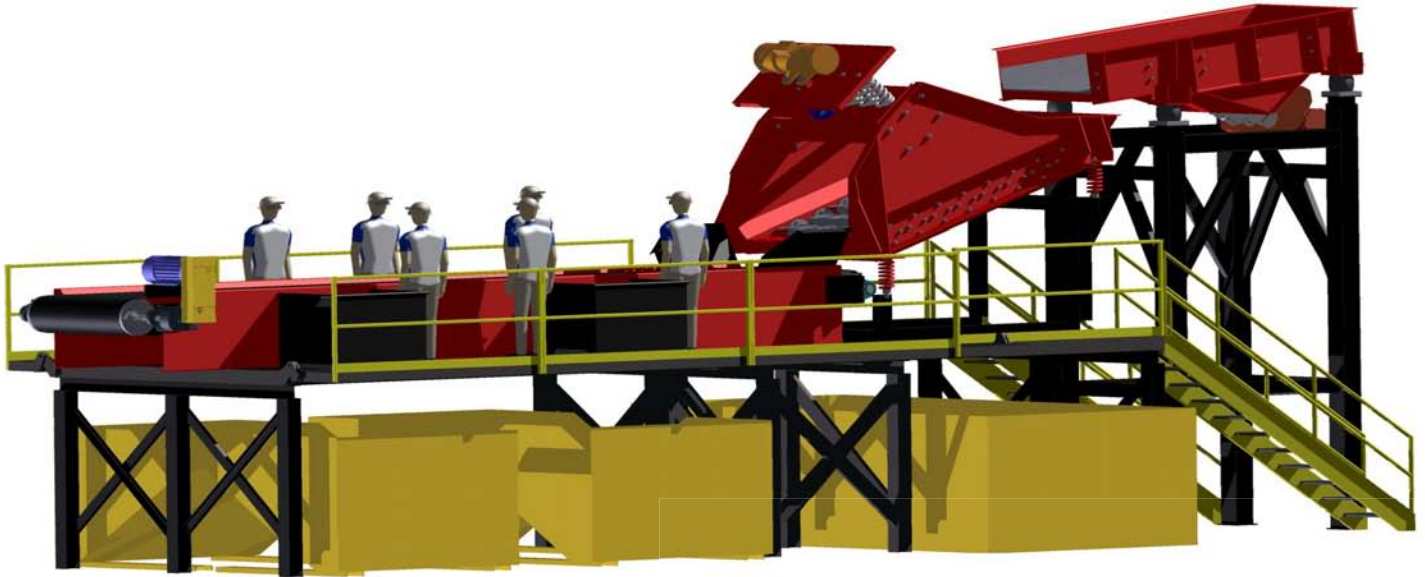




CD-EXPRESS™

C&D Systems for up to 150 yds. / hr.



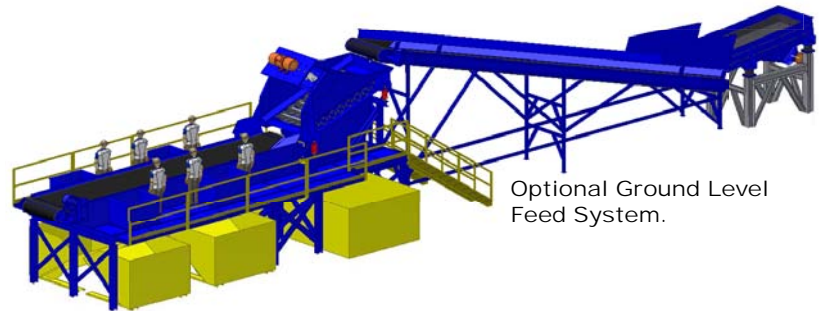
The CD-Express from General Kinematics is a low tonnage recycling system designed for high efficiency recovery of material. Systems include primary screening with a quad station pick line, all mounted to an easy to install support system designed to utilize roll-off containers as material sorting bins.

Additional Options

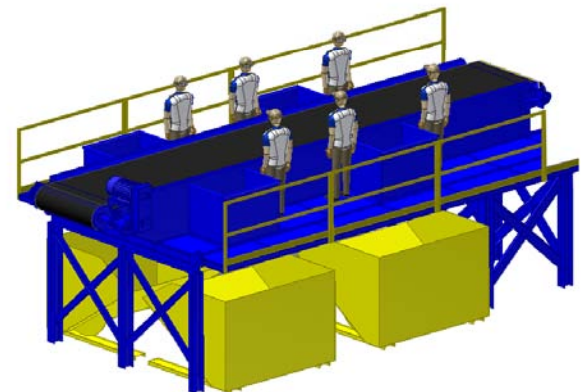
- Ground level feed system with elevated belt.
- Platform extension for 4 additional pick stations.
- Upgraded variable drive package for precision control of equipment speed on the fly

Features:

- Easy to install system design.
- General Kinematics Finger-Screen™ for separating minus sized material from overs.
- Heavy-Duty pick belt and sorting bins.



Optional Ground Level Feed System.



Optional Platform Extension for Increased Picking Capabilities.