

High Frequency Screen or Feeder

Innovative Spring Technology

The GK High-Frequency Screen or Feeder equipped with the innovative, patent-pending Structural Springs, is a fiscally responsible solution for powder and bulk processing. Structural Springs also function as legs to create a simplified design. The smaller natural frequency motor provides a more cost agreeable solution compared to brute force.

The combination of structural springs and natural frequency design allows for longer units in comparison to brute force design.

In addition, the High-Frequency Screen or Feeder (patent pending) is backed by GK technical support.

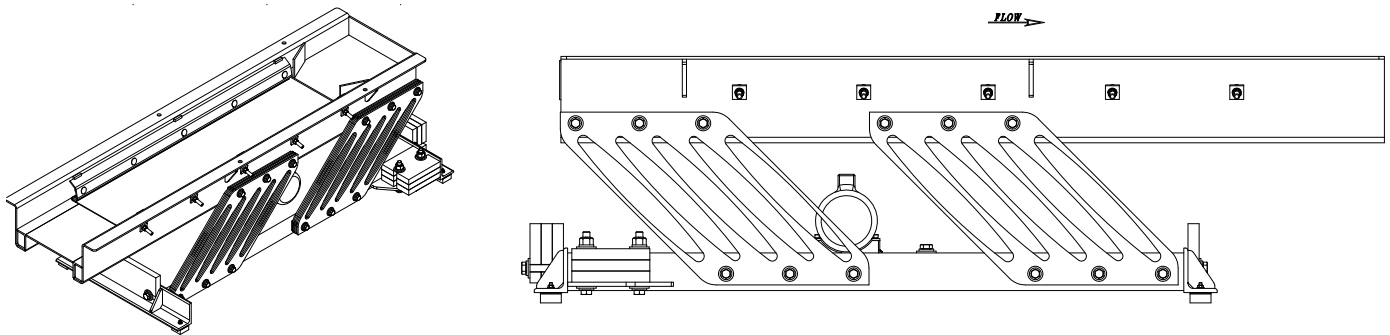
High Frequency Screen or Feeder **Overview**

FEATURES:

- High-Frequency provides better fines screening
- Fluidizes material
- Structural Spring provides higher spring rate in small space
- Low stroke provides extremely low dynamic force allowing equipment to be placed directly on floor
- Smooth startup and shutdown
- Needs very little clearance
- Smaller Footprint
- Safe, simple operating design
- Cost Effective



High Frequency Screen or Feeder CAD Example



High Frequency Screen or Feeder Specs

Function:	Powder and Bulk
Design Duty:	Standard & Optional Food Grade on Request
Drive:	Natural Frequency
Trough Size:	Varies by specification
Trough Material:	Steel, Stainless Steel, or Abrasion Resistant
Overall Dimensions Weight:	Varies by specification
Benefits:	Reliable, Safe Operation, Cost Efficient
Secondary Services:	Technical Support, Field Service
Quality:	ISO Certified
Typical Size Range:	Minimum Screen Size to 200 mesh

Testing



General Kinematics engineers, manufactures and installs a wide range of vibratory, rotary and process equipment. GK equipment is custom engineered to your application. Our mission is to not only provide a solution that works, but also to supply superior after market parts and service to our customers around the world.