

VIBRA-DRUM®

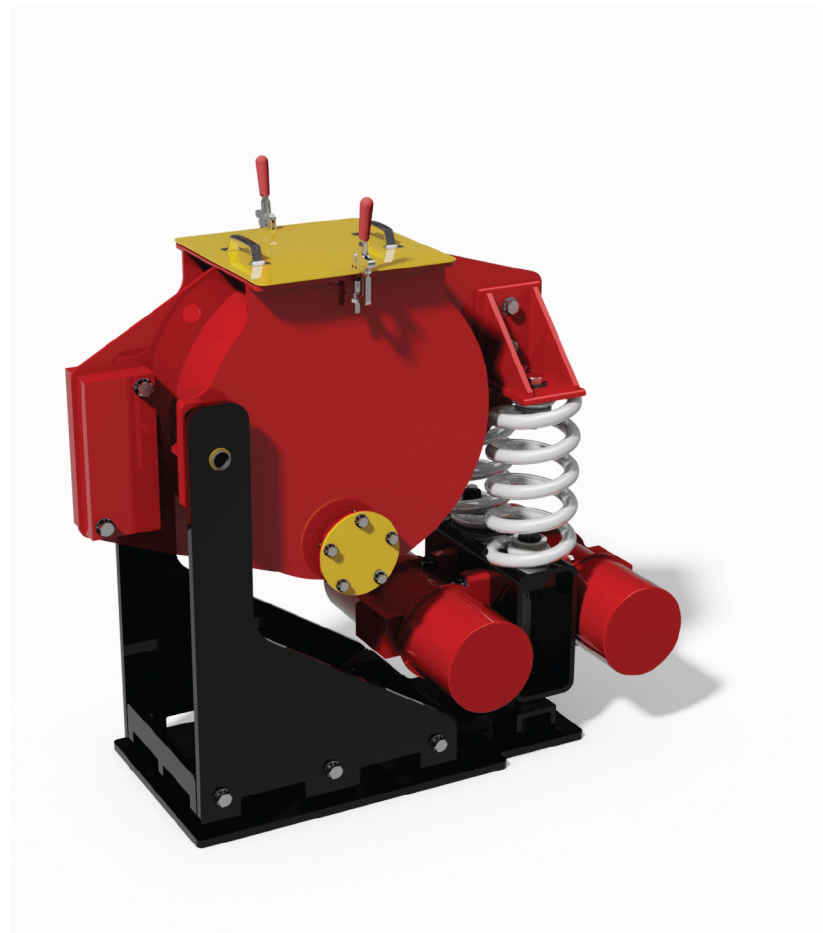
Versatile Grinding Technology

The GK VIBRA-DRUM® Lab Scale Grinding Drum is an energy-efficient, vibratory drum capable of breaking down materials more effectively. The unique attrition capabilities of the VIBRA-DRUM® make it ideal for offline testing scenarios to keep your production flowing.

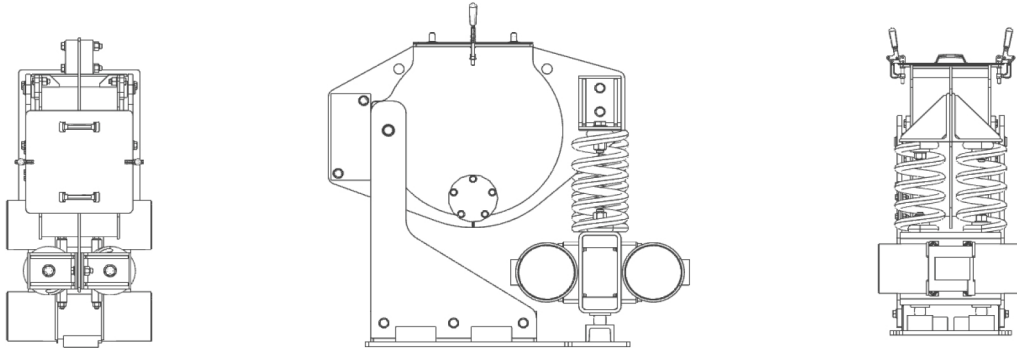
Ideal for batch grinding use, the VIBRA-DRUM® Lab Scale Grinding Drum is backed by GK technical support.

VIBRA-DRUM® Overview

- VIBRA-DRUM® Lab Scale Grinding Drum is versatile and easy to use.
- Fine grinding: 3000 microns - 5 microns.
- Allows your facility to perform internal testing to ensure product validation and process performance.
- Economics make it reasonable for use in cases where customers need to process small batch grinding.
- Chamber material fabrication means it is suitable for many chemical processes.
- Lab data from drum can directly be used for scaling up.
- Easy to move via forklift.
- No special foundations required.



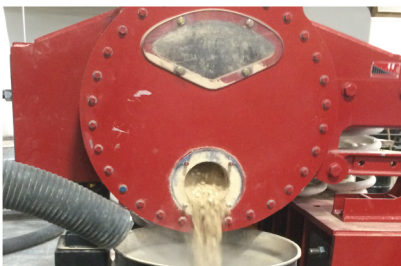
VIBRA-DRUM® CAD Example



VIBRA-DRUM® Specs

Function:	Grinding, Attrition, & Mixing
Design Duty:	Wet or Dry / Standard & Chemical Duty Operation
Drive:	(2) Motors 1.3 hp/each, 60 Hz, 460 V, 1200 RPM
Chamber Size:	2'-0 Diameter x 1'-0 Long
Chamber Material:	2205 Stainless Steel
Overall Dimensions:	2'-0 Wide x 4'-4 Long x 4'-0 High
Benefits:	Reliable, Safe Operation, Offline Processing
Secondary Services:	Technical Support, Field Service
Quality:	ISO Certified
Recommended Media Charge:	1.25 Cubic Foot of Steel or Ceramic Media
Recommended Material Batch Size:	0.5 Cubic Feet of Material
Typical Grind Size Range:	3000 microns to 5 microns
Quality:	ISO Certified
Applications:	Abrasives, Clay, Metallics, Moly

Application Photos



Before

After

General Kinematics engineers, manufactures and installs a wide range of vibratory, rotary and process equipment. GK equipment is custom engineered to your application. Our mission is to not only provide a solution that works, but also to supply superior after market parts and service to our customers around the world.