



DE-STONER[®] Air Classifier For Scrap

Improve ferrous & non-ferrous scrap recovery

General Kinematics' patented DE-STONER[®] Air Classifier is designed for continuous high volume production in a wide range of dry separation applications... and is a less costly alternative for removing unwanted "lights" from recovered ferrous material.

Completely dry system is capable of handling most scrap materials. Vibratory action, combined with high velocity / low pressure air streams work in tandem to fluidize and stratify materials according to the differences in terminal velocity.

Typical applications include: shredded auto scrap and fluff, commingled materials, C&D, shredded MSW, bio-mass and RDF fuel.



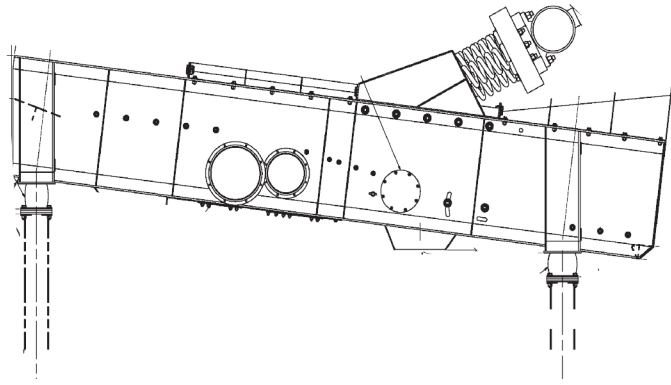
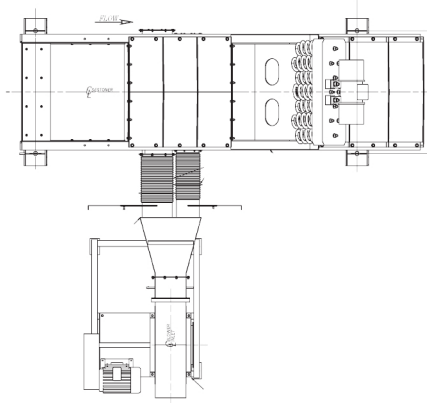
FEATURES

- High-performance features assure dependable removal of unwanted "lights" from recovered scrap.
- Lower air requirements and operating costs than conventional "Z-Box style" classification equipment.
- Fully isolated to minimize foundation requirements.
- Easily adjusted to meet your specific separation & classification requirements.
- Dependable, energy-saving, PARA-MOUNT II[®] two-mass, natural frequency vibratory drive.
- Less headroom required for installation.



Material before the DE-STONER[®] Material after the DE-STONER[®]

CAD Drawings



Specs

Function:	Classification & Separation
Components:	Electric Motors, Isolation Springs, Reactor Springs, Steel Construction, Screens, Liners
Construction Material:	Abrasion Resistant Steel, Mild Steel, Rubber, Stainless Steel
Power Requirements:	Up to 60 hp
Drive:	Federal or Conveyor Drive
Width:	Designed per application up to 84" wide
Length:	Designed per application up to 40' long
Weight:	Up to 60,000 lb
Capacity:	Up to 300 yd/h
Air Knife Options:	One, Two, or Three
CFM:	Up to 40,000 CFM
Analysis:	Fatigue, FEA, Stress
Finish:	Epoxy, Galvanized, Painted
Production Volume:	Built to Order
Benefits:	Efficient, Low Maintenance, Reliable, Rugged, Safe Operation, Large Processing Rates
Secondary Services:	Customer Support, Field Service, Additional Features
Quality:	ISO Certified

Application Photos



Spec Sheet No. GKR-16.

Printed in the USA. Copyright © General Kinematics

Follow GK on [Twitter](#) | [Facebook](#) | [LinkedIn](#) | [YouTube](#) | [GK Blog](#)
 USA | Germany | United Kingdom | China | India | Thailand

Call 815 - 455 - 3222
 or visit www.gkrecycling.com